

# ISUZU N-SERIES



**YOUR BUSINESS PARTNER FOR  
MAXIMUM RELIABILITY AND PERFORMANCE**

# HI-POWER ROAD KING

**Tested and Trusted**

- Proven Durability
- Low Maintenance
- Fuel-Efficient
- Reliable Support

Dealer's information



ISUZU MALAYSIA SDN BHD [664946-H]

501D, LEVEL 5, TOWER D, UPTOWN 5, NO 5, JALAN SS21/39, DAMANSARA UPTOWN, 47400 PETALING JAYA, SELANGOR DARUL EHSAN.  
GENERAL LINE: 03-7723 9777 FAX: 03-7723 9779 HOTLINE: 1-300-88-1133

# HI-POWER ROAD KING

## THE CHOICE OF TOP BUSINESSES AROUND THE WORLD

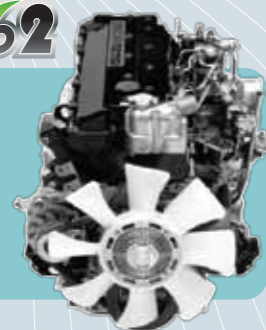
The Isuzu N-Series is the world's preferred light truck series, renowned for its durability, reliable performance and comprehensive service support.



**NEW**

**NPR**

**EURO 2**



**ISUZU NPR 71**  
MODEL : 4HG1-T  
CC : 4,570  
POWER : 125 PS  
TORQUE : 325 Nm



**NEW**

**NKR**

**EURO 2**



**ISUZU NKR 55**  
MODEL : 4JB1-TC  
CC : 2,771  
POWER : 100 PS  
TORQUE : 206 Nm

### SPECIFICATIONS

	ISUZU NKR 55		ISUZU NPR 66	
	NKR 55UEEH	NPR 66ULH	NPR 66UPH	NPR 66UPL
Model Code	NKR 55UEEH	NPR 66ULH	NPR 66UPH	NPR 66UPL
Body Shape	Narrow Cab		Wide Cab	
Drive Train	4 x 2			
<b>WEIGHT &amp; CAPACITIES</b>				
Gross Vehicle Weight	kg	4500	5000	7700
Curb Weight	kg	1540	2270	2290
Front Axle Capacity	kg	2500	3100	2330
Rear Axle Capacity	kg	3000	4000	5000
Fuel Tank Capacity	l	75	100	
<b>DIMENSIONS</b>				
Overall Length	OAL mm	4590	5955	6610
Overall Width	OAW mm	1695	1995	2195
Overall Height	OAH mm	2105	2195	2195
Wheelbase	WB mm	2490	3365	3815
Front Overhang	FOH mm	1015	1085	1085
Rear Overhang	ROH mm	1085	1505	1710
Front Tread	FT mm	1385	1665	1710
Rear Tread	RT mm	1395	1525	
<b>ENGINE</b>				
Model		4JB1	4HF1	
Type		In-Line 4-Cylinder, OHV	In-Line 4-Cylinder, OHC	
Displacement	cc	2,771	4,334	
Bore x Stroke	mm	93 x 102	112 x 110	
Compression Ratio		18.2:1	18.5:1	
Maximum Output	kW (PS) / rpm	59 (80) / 3600	88 (120) / 3200	
Maximum Torque	Nm (kgm) / rpm	175 (17.8) / 2000	285 (29.1) / 1800	
Fuel System		Direct Injection		
<b>TRANSMISSION</b>				
Type		5-Speed Manual (MSB-5S)	5-Speed Manual (MY-5T)	
Gear Ratio		5.016	5.315	
	1st	2.672	3.053	
	2nd	1.585	1.655	
	3rd	1.000	1.000	
	4th	0.770	0.721	
	5th	4.783	5.068	
	Reverse	6.500	6.142	
	Final			
<b>CLUTCH</b>				
Type		Dry Single Plate, Hydraulic Diaphragm		
Size	mm	240	300	
<b>PERFORMANCE</b>				
Max. Speed	km/h	100		104
Max. Gradeability	%	32.0	50.9	29.1
<b>SUSPENSION SYSTEM</b>				
Front	Type	Semi-Elliptical Steel Leaf Springs and Double Acting Hydraulic Telescopic Shock Absorber, Stabiliser Bar		Semi-Elliptical Steel Leaf Springs and Double Acting Hydraulic Telescopic Shock Absorber
Rear	Type	Semi-Elliptical Steel Leaf Springs and Double Acting Hydraulic Telescopic Shock Absorber		
<b>TYRES &amp; WHEELS</b>				
Tyres Size		7.00-16-10PLY		7.50-16-12PLY
Wheels Size		16x5.5F	16x5.5F-115	16x6.00GS-127
<b>BRAKE SYSTEM</b>				
Brake Type		Drum, Hydraulic Vacuum, Two Front & Rear Shoes Dual Circuitries with DSPV		Drum, Hydraulic Vacuum, Two Front & Rear Shoes Dual Circuit
Parking Brake Type		Mechanical Operated Internal Expanding Exhaust Brake		
Auxiliary				
<b>STEERING</b>				
Steering System		Power Assist, Recirculating Ball Type		
Min. Turning Radius	m	5.3	5.8	6.6
<b>ELECTRICAL</b>				
Battery		12V-75AH		12V-65AH x 2
Alternator		12V-50A		24V-50A
<b>OTHERS</b>				
Cab Design		Tilt		
Audio		1-DIN AM/FM CD/MP3 Player		
Vehicle Security System		Standard		
Seat Belts		3-Point ELR (Driver & Assistant) + 2-Point Middle Occupant		

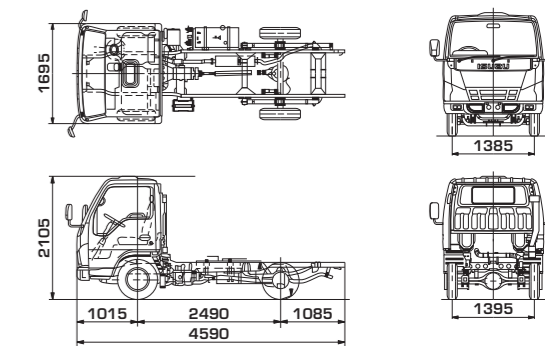
Colours and specifications may differ from that featured in this brochure.

For further information, please contact your nearest Isuzu authorised dealers.

### DIMENSIONS (unit:mm)

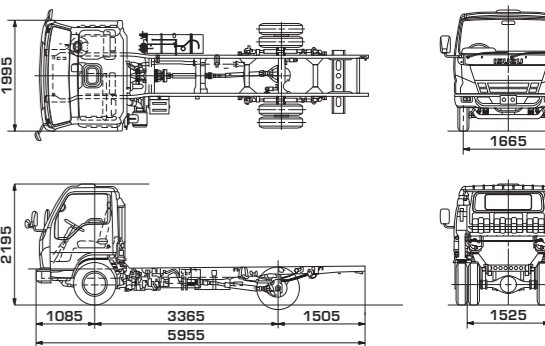
ISUZU N-SERIES NKR 55UEEH

ISUZU N-SERIES NKR 55UEETB



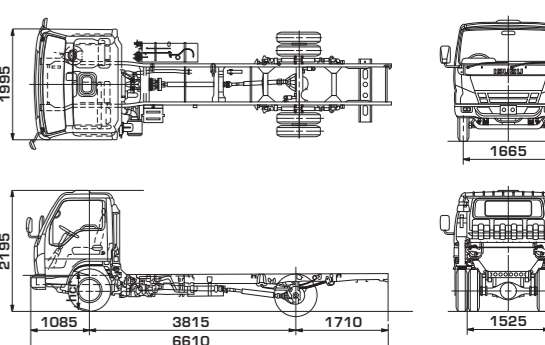
ISUZU N-SERIES NPR 66ULH

ISUZU N-SERIES NPR 71ULHT



ISUZU N-SERIES NPR 66UPH/NPR 66UPL

ISUZU N-SERIES NPR 71UPHT/NPR 71UPLT



**ISUZU  
N-SERIES**  
Tested and Trusted

## SPECIFICATIONS

		<b>NEW HI-POWER ROAD KING ISUZU NKR 55</b>		<b>NEW HI-POWER ROAD KING ISUZU NPR 71</b>	
Model Code		NKR 55UEETB		NPR 71ULHT	
Body Shape		Narrow Cab		Wide Cab	
Drive Train		4 x 2		4 x 2	
WEIGHT & CAPACITIES					
Gross Vehicle Weight		4500		5000	
Curb Weight		1546		2281	
Front Axle Capacity		2500		3100	
Rear Axle Capacity		3000		4000	
Fuel Tank Capacity		75		100	
DIMENSIONS					
Overall Length		4590		5955	
Overall Width		1695		1995	
Overall Height		2105		2195	
Wheelbase		2490		3365	
Front Overhang		1015		1085	
Rear Overhang		1085		1710	
Front Tread		1385		1665	
Rear Tread		1395		1525	
ENGINE					
Model		4JB1-TC		4HG1-T	
Type		Turbo-Intercooled, In-Line 4-Cylinder, OHV		Turbo-Charge, In-Line 4-Cylinder, OHC	
Displacement		2,771		4,570	
Bore x Stroke		93 x 102		115 x 110	
Compression Ratio		18.1:1		19.0:1	
Maximum Output		74 (100) / 3400		92 (125) / 2850	
Maximum Torque		206 (21) / 2000		325 (33) / 1800	
Emission Level		Euro 2		Euro 2	
Fuel System		Direct Injection		Direct Injection	
TRANSMISSION					
Type		5-Speed Manual (MSB-5S)		5-Speed Manual (MYY-5T)	
Gear Ratio		1st		5.016	
		2nd		5.315	
		3rd		3.053	
		4th		1.585	
		5th		1.000	
		Reverse		0.770	
		Final		4.783	
				5.875	
CLUTCH					
Type		Dry Single Plate, Hydraulic Diaphragm		Dry Single Plate, Hydraulic Diaphragm	
Size		240		300	
PERFORMANCE					
Max. Speed		113		115	
Max. Gradeability		30.0		38.0	
SUSPENSION SYSTEM					
Front		Type		Semi-Elliptical Steel Leaf Spring and Double Acting Hydraulic Telescopic Shock Absorber, Stabiliser Bar	
Rear		Type		Semi-Elliptical Steel Leaf Spring and Double Acting Hydraulic Telescopic Shock Absorber	
TYRES & WHEELS					
Tyres Size		7.00-16-10PLY		7.50-16-12PLY	
Wheels Size		16x5.5F		16x5.5F-115	
BRAKE SYSTEM					
Brake Type		Drum, Hydraulic Vacuum, Two Front & Rear Shoes Dual Circuitries DSPV		Drum, Hydraulic Vacuum, Two Front & Rear Shoes Dual Circuit	
Parking Brake Type		Mechanical Operated Internal Expanding		Mechanical Operated Internal Expanding	
Auxiliary		Exhaust Brake		Exhaust Brake	
STEERING					
Steering System		Power Assist, Recirculating Ball Type		Power Assist, Recirculating Ball Type	
Min. Turning Radius		5.3		5.8	
ELECTRICAL					
Battery		12V-75AH		12V-65AH x 2	
Alternator		12V-50A		24V-50A	
OTHERS					
Cab Design		Tilt		Tilt	
Audio		1-DIN AM/FM CD/MP3 Player		1-DIN AM/FM CD/MP3 Player	
Vehicle Security System		Standard		Standard	
Seat Belts		3-Point ELR (Driver & Assistant) + 2-Point Middle Occupant		3-Point ELR (Driver & Assistant) + 2-Point Middle Occupant	

Colours and specifications may differ from that featured in this brochure.

For further information, please contact your nearest Isuzu authorised dealers.

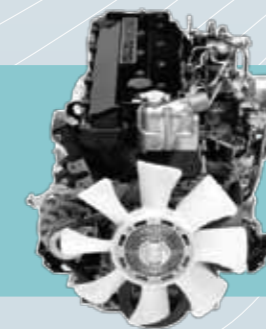
## PRACTICAL & ECONOMICAL



### NPR

**ISUZU NPR 66**

MODEL : 4HF1  
CC : 4,334  
POWER : 120 PS  
TORQUE : 285 Nm



### NKR

**ISUZU NKR 55**

MODEL : 4JB1  
CC : 2,771  
POWER : 80 PS  
TORQUE : 175 Nm



## PRODUCT FEATURES

### DURABILITY

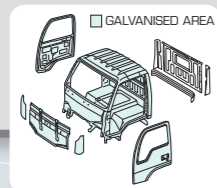
- Highly rigid frame for strength and stability
- Cation Electrodepositing coating for rust protection
- Galvanised steel for extra durability



Highly rigid frame



Cation Electrodepositing coating



Galvanised steel

### MAINTENANCE

- Easy access service components for quick service and maintenance
- Avoid lengthy downtime during vehicle service
- Get back on the road and back to business faster



Brake fluid reservoir



Tilt cab



Fuse box



Air cleaner

### COMFORT

- 90 degree wide door opening
- Bias Layout Shock Absorbers for smoother ride shock absorption
- Large aluminium step with inner-step design (prevents mud from getting in)
- Larger ingress/egress opening for easier entering and exiting of vehicle



90 degree wide door



Bias Layout Shock Absorbers\*  
\* Only available for NPR



Non-slip step



Larger ingress/egress

### EASY OPERATION

- Easy reach buttons for enhanced operability
- Easy access gear and handbrake
- Superb handling and driving feel
- Power steering with tilt and telescopic



Easy reach buttons



Easy access gear



Power steering



Tilt and telescopic adjustability

### SAFETY

- 3-point harness seat belt with Emergency Locking Retractor
- All-round visibility
- Roof design drains rainwater away from windscreen
- Cornering lamps with 45 degree visibility
- 2-jet nozzles with intermittent wipers
- Fuel cap with key lock for fuel security



3-point harness seat belt



All-round visibility



Fuel cap lock



2-jet nozzles

### VERSATILITY

- A truck for every application of bodies to suit your type of business



Power Tailgate



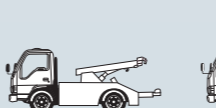
Dump



Earth Auger



Aerial Platform



Wrecker



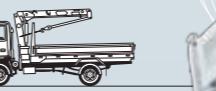
Tanker



Cesspit Emptier



Road Sweeper



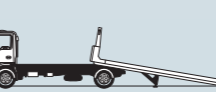
Crane/Cargo



Refuse Truck



Refrigerated Van



Vehicle Transporter

## OTHER INTERIOR FEATURES

### CONVENIENT STORAGE SPACE

Every detail of the cabin layout is designed with the driver's comfort, convenience, and work-practicality in mind.



Glove box: Useful for storing items such as a flashlight or notebook



Storage box on instrument panel: Great for small miscellaneous items



Door pocket: Keeps maps and papers close at hand



Cup holder



Center seat back tray: The back of the center seat converts into a tray when folded



Coin holder: Handy for coins and other smaller articles



Accessories warranty varies